

Multi-function trip computer

model: P6

Thank you for purchasing our product, this product reads the driving data of the car through the OBD2 interface of the car ECU line computer, such as vehicle speed,RPM, fuel consumption, water temperature and voltage, etc. To keep the driver eyes always on road to avoid the dangerous of lowering down head to read the dashboard.

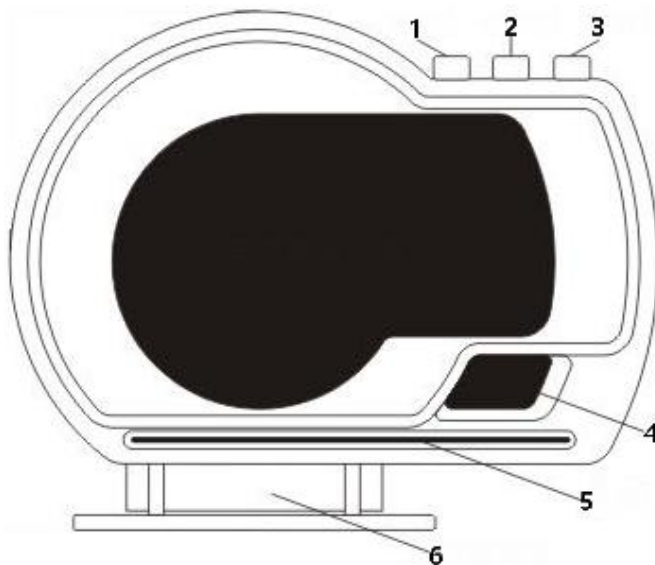
This product does not rewrite any data in the ECU.

Kindly Attention:

OBD2 mode working voltage: 11V~18VDC (12vdc/200mA), when voltage is higher than 24V, please use a USB cable for GPS mode.

Model P6 is OBD+GPS dual system. After power on, select the language and system freely, press the '>' key to select OBD or GPS system, and automatically enter the last selected system after 5 seconds of inactivity.

Button functions:



1. "<" key

2. "OK" key

3. ">" key

4. Time Display

5. Atmosphere Light

6. Bracket

short press(1 second press)

long press(2 second press),release after the display screen changes

1.Short press '<'

- (1)Switch language and system on first use
- (2)Switch function display after normal display
- (3)Decrease the menu or parameter value after entering the setting

2.Short press 'OK'

- (1)Select function
- (2)Switch the display screen after normal display

3.Long press 'OK'

- (1)Enter settings
- (2)After adjusting,long press again for 2 seconds to save and exit

4.Short press '>'

- (1)Switch language and system on first use
- (2)Switch function display after normal display
- (3)Increase the menu or parameter value after entering the setting

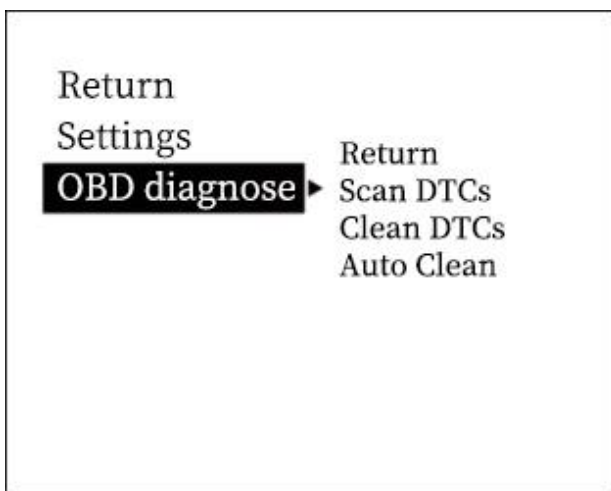
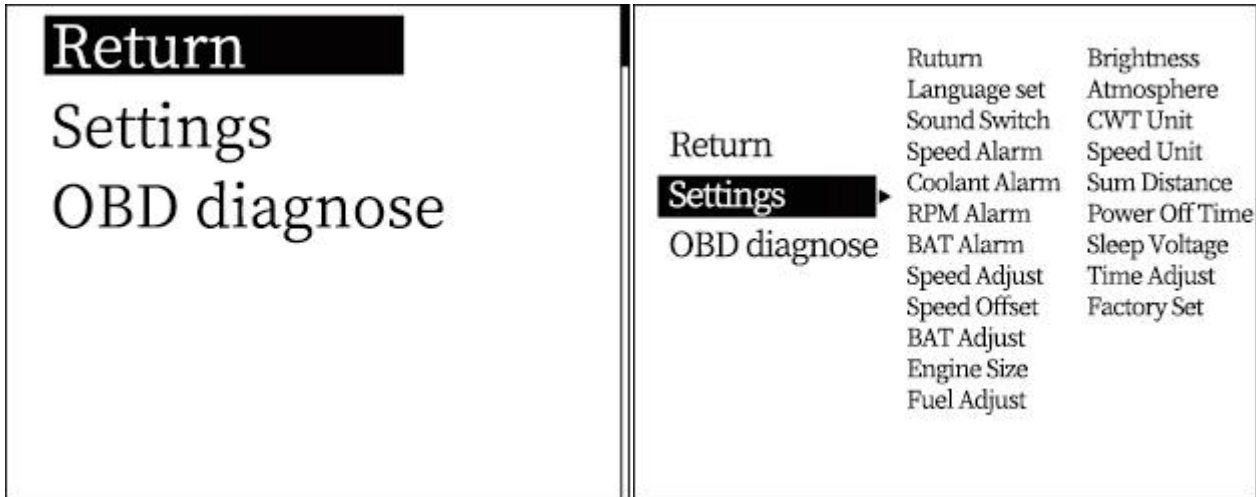
Display function abbreviations:

ECT = engine water temperature	VLT = voltage	FUE = fuel consumption
RPM = engine speed	TIM = system time	MIN = travel time
DIS = travel distance	MAP = intake pressure	OIT = oil temperature
A/F = air-fuel ratio	TCP = turbo pressure	PSI = turbo pressure
RTC = satellite time	ASL = altitude	GPS = satellite number
DIR = driving direction	KM/L = kilometers per liter	CVT = dial box temperature
ELD = engine load	IAT = intake air temperature	TPS = Throttle

Setting Mode:

Long press the 'OK' key for 2 seconds to enter the setting item, short press the '>' key to increase the menu option, short press the 'OK' key again to enter the parameter value, short press the '>' or '<' key

to adjust the parameter value, short press the 'OK' key to confirm and return Menu, long press the 'OK' key for 2 seconds to save and exit.



Language set: CN-Simplified Chinese/ TW-traditional Chinese/ EN-English

Sound Switch: ON-turn on the alarm/ OFF- turn off the alarm

Speed Alarm: Alarm when the vehicle speed >150km/h, the setting range is 50-200

Coolant alarm: Alarm when the water temperature >120°C, the setting range is 50-200

RPM alarm: alarm when the engine speed >6000r/min, the setting range is 1000-8000

BAT alarm : alarm when the voltage <10.5v, the setting range is 10.0-15.0v

Speed Adjust: adjust the parameter value when there is an error between the speed and the instrument panel (for example, the instrument displays 100 Km/h and the device displays 105Km/h, and the parameter value is adjusted to 102 on the dial)

Speed Offset: when the vehicle speed does not return to 0 after the car is turned off (If the vehicle speed shows 5Km/h, the equipment is adjusted to 6Km/h)

BAT Adjust: when there is an error between the voltage and the instrument panel voltage, fine adjustment can be made (If the device displays 0.2V higher than the instrument voltage, the device is adjusted to 98%)

Engine Size: when the fuel consumption error is large, adjust according to the displacement (If the car displacement is 3.6L, adjust the parameter value to 3.6L)

Fuel Adjust: fine-tuning when there is an error in fuel consumption (If the device displays 0.2L higher than the instrument voltage, the device is adjusted to 98%)

Brightness:

Auto= automatic light sensitivity, **1=** the darkest, **8 =**the brightest

Atmosphere: **ON=** turn on **OFF=** turn off

CWT Unit: °C =Celsius, °F = Fahrenheit

Speed Unit : **Km/h=** kilometers **MPH=** miles

Sum Distance: synchronization of total mileage

(For example, the total odometer on the dashboard shows that you have driven 30010km, adjust the parameter value to 30010km)

Power Off Time: the default is 10s to shut down, when it is turned off while driving, it can be adjusted to more than 180s

Sleep Voltage: adjust to 13.2V or 13.6 voltage shutdown mode when unable to shutdown RPM is the default speed for shutdown, COM is the automatic start-stop mode and special mode for hybrid electric vehicles

Time Adjust: it can be adjusted to local time, the default time is China time (GMT+8)

Factory Set: the system restores to the factory preset values. After selecting this operation, short press 'OK' key to confirm

Troubleshooting settings

Scan fault code: scan whether the car is faulty and display fault information

Clear fault code: when the car has a fault code display, short press 'OK' key to clear the fault code

Auto Clean

Please note:

It is recommended to unplug the device if your car doesn't been used for more than one week.

OBD FAQ:

1.No function is displayed,no power

Check whether the OBD cable is tight connection, pull down repeatedly to confirm, please try it on another car if still not workable, analysis if it is a cause from OBD diagnostic interface,if yes,please repair it and connect the device again.

2. Only the car voltage displays and be automatic power off after 30 second

- (1) This product is only available for OBDII and EOBD cars when it is in OBD2 mode
- (2) OBD2 is a car protocol (Suitable for cars produced after 2008)
- (3) This product OBD2 mode does not support OBD I and JOBD
- (4) Switch to the GPS system using the USB cable to display, within 5 seconds of power short press the '>' **button** to select the GPS system.

3. Inaccurate speed

- (1) Please check that the unit is correct KM/mile MPH, (speed unit switch please refer to the settings mode)
- (2) After turn on and displaying normally, vehicle long press the **'OK'** **button** for 2 seconds to enter the system setting, press '>' **button** to switch to the system setting, select the "Speed Adjust" for fine adjustment (for example, the meter displays 100 Km/h, the device displays 105Km/h, dial the parameter value to 102).

4. Inaccurate fuel consumption

Check the displacement of your vehicle. Set the engine displacement to the same displacement in the system settings (for example, if the car is 2.0L, the parameter value is adjusted to 2.0L).

If the displacement is the same, you can also fine-tune the fuel consumption data in the system settings "Fuel Adjust" (such as equipment when the display voltage is higher than the instrument voltage is 0.2L, the device is adjusted to 98%)

Suggestion: Because this data is the data of the trip computer, no fine adjustment is required

5. HUD cannot auto shut down

After the car engine stops, the RPM and speed on the machine can not be turned off, please enter the setting menu "Sleep Voltage", set voltage to 13.2V or 13.6V, so that the car can be turn off automatically after 3 minutes.

6. Automatic start-up will auto off when step the brake or wait for a traffic light

Adjust the "Sleep Voltage" in the system settings to the COM mode—automatic start-stop and gas-electric hybrid vehicle special mode

7. Hybrid cars will turn off during driving.

1. Adjust the "Sleep Voltage" in the system settings to COM mode
2. Setting "Power-off Time" to 300 seconds on the setting mode, so that it can turn off after 5 minutes
3. If it is not resolved, please switch to the GPS system to display, short press the '>' key to select the GPS system within 5 seconds of power on

8. Wrong operation leads to crashes

(1) Are there other OBD devices on your car (parking sensor, TPMS, lock lift window, ELM27)

(2) Had your car been modified and installed (central control navigation, electronic throttle accelerator, cruise control, brushed computer system, One-key start-up, keyless entry, remote start-up) will cause crashes, unplug other OBD devices and use this product directly to restore factory settings (see the setting mode)

(3) Long press 'OK' key button to enter the settings menu, short press '>' key to switch to system settings, short press 'OK' key to enter system settings, short press '>' key to switch to factory settings, and short press 'OK' key to confirm.

If it is not resolved, please switch to GPS system and use USB cable to display. Press '>' key to select GPS system within 5 seconds of power on.

GPS FAQ:

1. Nothing on the screen, no power

Check if the USB interface has power or the connection is loose, pull it out and plug it in again several times, or replace the USB cable

2.No speed

The GPS is flashing to search for stars. Please move the car to an open road. GPS display above 5 means it can be used normally only after searching 5 satellites

3.Can not automatically turn on or turn off repeatedly during driving

Please use the USB cable to plug into the cigarette lighter

If you use OBD cable, enter the setting menu to select the "Sleep Voltage" and adjust the parameter value voltage to 13.0V or 12.8V

If you use a USB cable, enter the setting menu to select the "Sleep Voltage" and set the parameter value voltage to OFF

4.Inaccurate satellite time

Enter the setting item: Time Adjust, press '>' button to adjust the time zone time, after adjustment, long press 'OK' button to save and exit

5.Inaccurate vehicle speed

(1) Check whether the unit is correct, kilometers KM/mile MPH (speed unit switch please refer to the settings mode "speed unit")

(2) When the car leaves the factory, the manufacturer increases the speed displayed on the dashboard by 5-7%. International standards are based on satellite data.

(3) Fine-tune the vehicle speed, such as the instrument display 100 Km/h HUD display 105Km/h dial on the dial to adjust the parameter value to 102

6.Wrong driving direction

Satellites can not read your driving direction when there is no speed. It will be normal until >5KM/H

7.Speed is still on after the car stops

Underground parking lots, tunnels, and overpasses, when there are obstructions, the signal will be unstable. Satellites will drift. Please drive to an open road. If the number of satellites found is more

than 5, it will be normal.

8. Cannot automatically turn off after the car shutdown

When the OBD cable is connected, the HUD will automatically shut down after 3 minutes

If the machine is not turned off after 5 minutes after stopping the flame, adjust the voltage setting parameter value to 13.5V (See the menu settings "Sleep Voltage ")

Or unplug the OBD cable and use the USB cable plug into the cigarette lighter